



BUU: ETAT Smart Lab

Smart Factory 4.0



Co-funded by the Erasmus+ Programme of the European Union 



FACHHOCHSCHULE KÄRNTEN
UNIVERSITY OF APPLIED SCIENCES



STU
SLOVAK UNIVERSITY OF TECHNOLOGY IN BRATISLAVA



U. PORTO



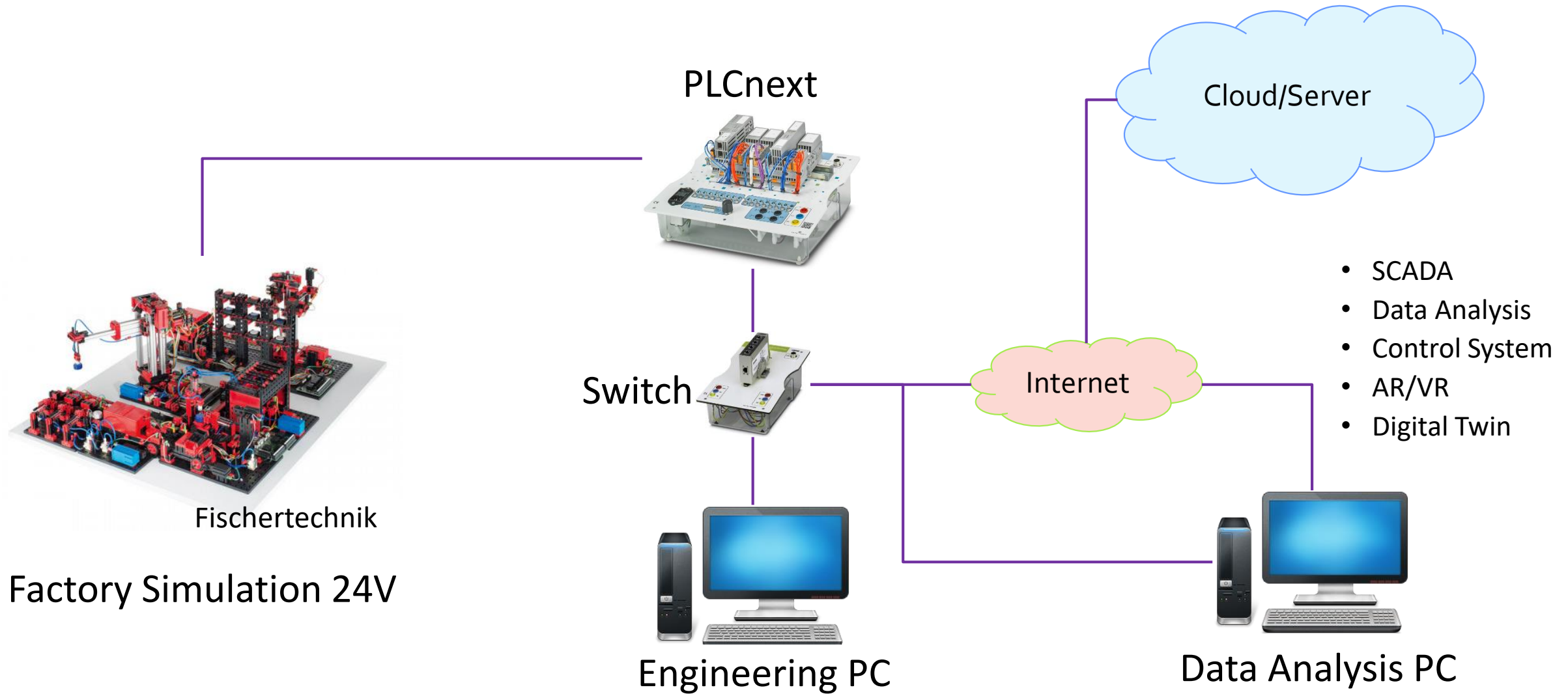
Universidad de Oviedo



University of Antwerp



unibz
Freie Universität Bozen
Libera Università di Bolzano
Università Ljedia de Bulsan

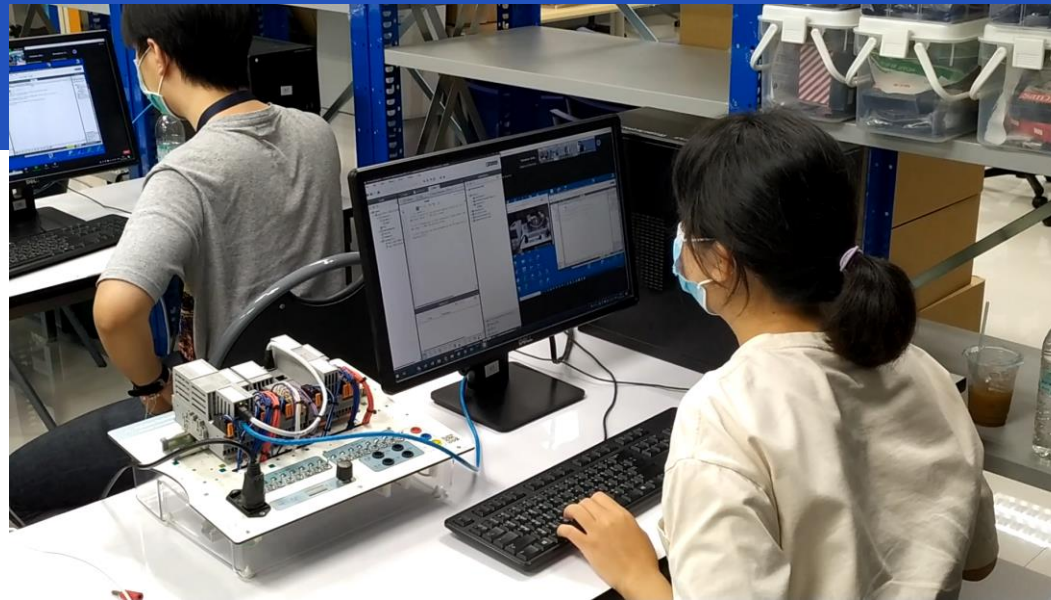


- The Smart Factory 4.0 Simulation learning environment
 - is used in learning and understanding industry 4.0 applications
 - depicts the ordering process, the production process and the delivery process in digitized and networked process steps
- Models included 4 main stations:
 - Sorting Line With Color Detection
 - Multi Processing Station With Oven
 - Automated High-Bay Warehouse
 - and Vacuum Gripper Robot
- This set needs 2 PLCnext for covering the required I/Os.

Example



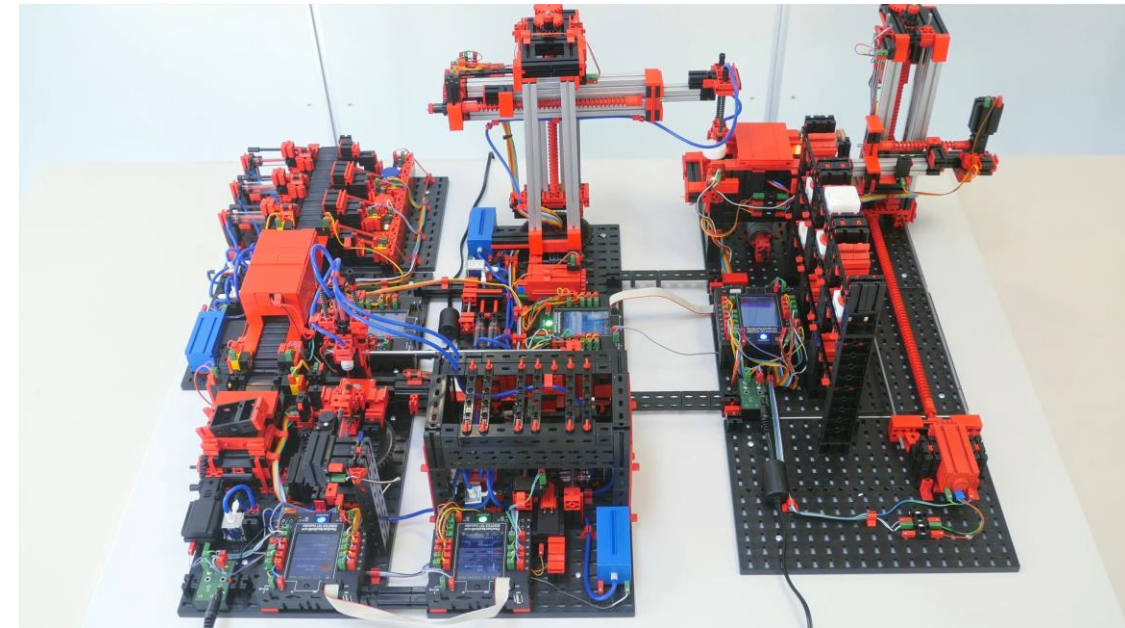
BUU ETAT Training Center



PLCnext



Smart Factory 4.0 Simulation



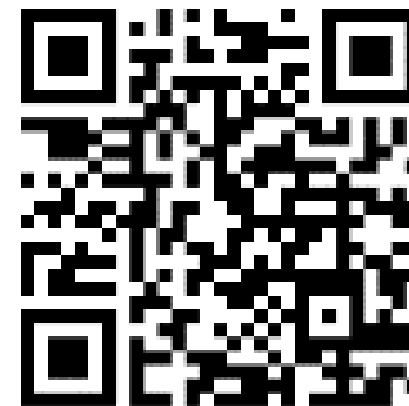


Thank you! 

Moving towards Digital Era Surely with Us
Faculty of Informatics @BUU



www.informatics.buu.ac.th



www.facebook.com/InformaticsBuu